



LED ARTICULATED ARM LUMINAIRES

**MODEL:
KS-1088**



Magnifiers for closer inspection



KS-1088 applies ergonomic perfection to support highly demanding visual tasks. With the latest LES's innovative arm technology and a visual field designed for optimum performance, the KS-1088 illuminated magnifier combines high efficiency with ergonomic design.

LED articulated arm luminaire with magnifying lens can be positioned as desired thanks to the aluminium spring arm.



2 in 1
5x/10x
magnifier
lamp

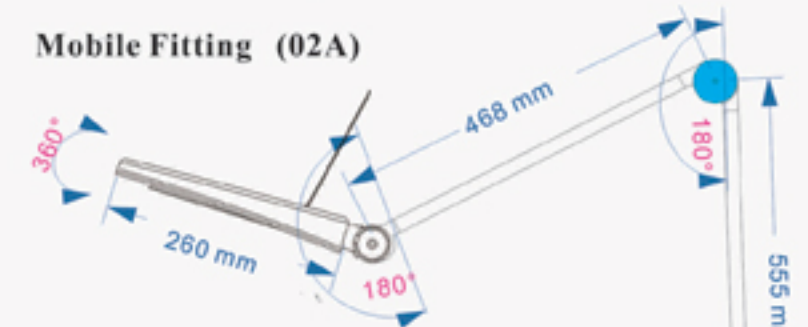
Dermatology

Skincare

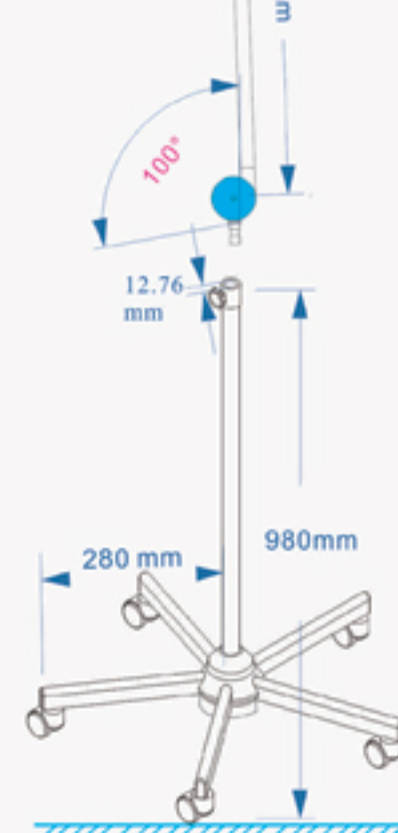
plastic
surgery

Beauty

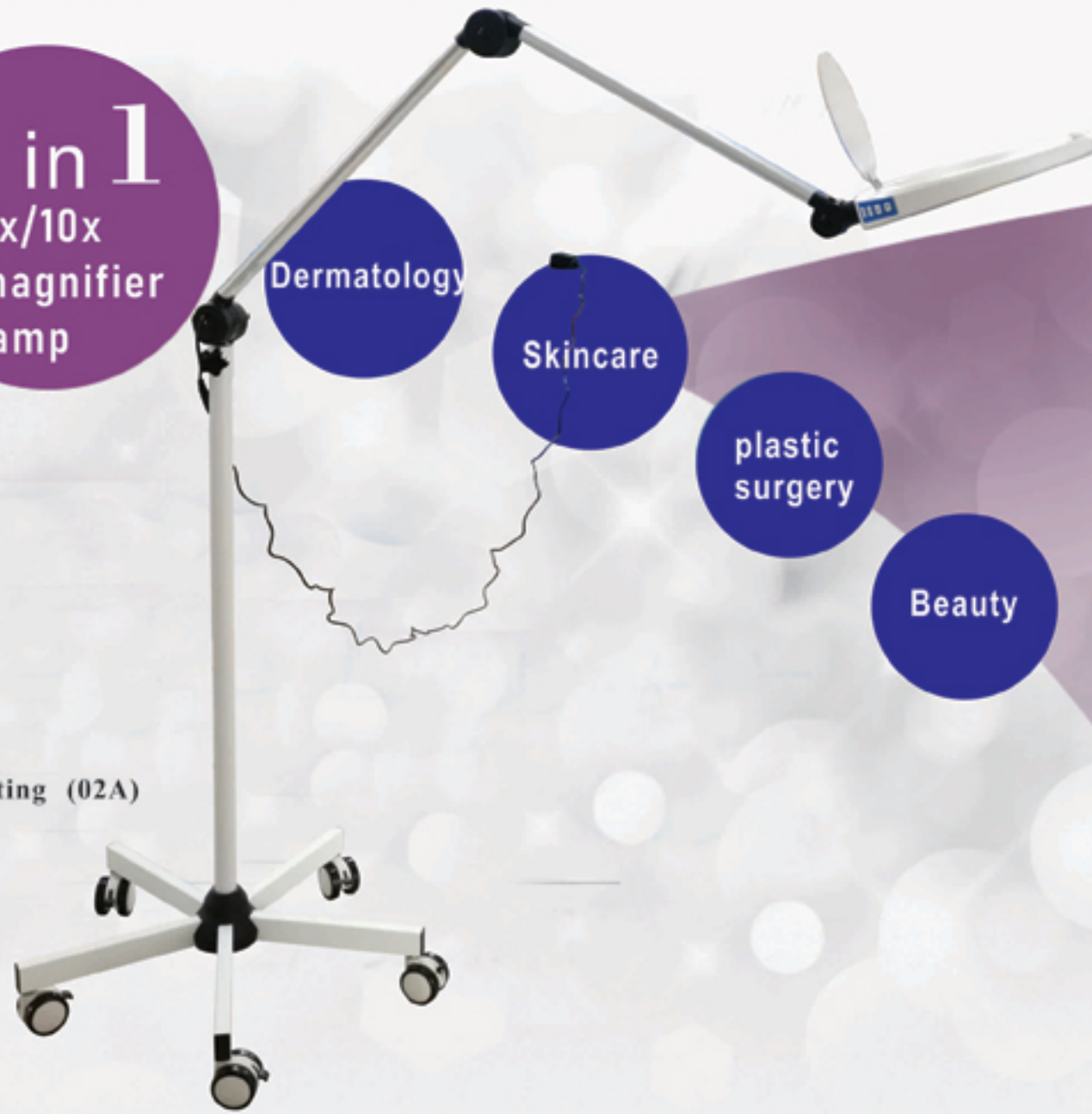
Mobile Fitting (02A)



Technical Data of KS-1088	
Light Intensity	2160 lumens
Size of lamphead	260mm (L) X 230mm (W) X 29 mm(T)
Light source	36 LEDs , option: 395nm UV light (wood light)
LED life span	50,000 hours
Color Temperature	variable 3200K-6000K (standard)
Control system	Brightness(10steps)/ Temperature control on the lamphead
Input Connected Load	DC 12V, 2000mA
Power consumption	12W
Magnifer	Combinated 5x and 10x
Diameter of magnifier len	127mm
Class of Protection	Class II
Mounting Options	Ceiling, Mobile, Desk, Wall& Rail, option: Emergency battery



Mobile Fitting (02A)



LED magnifier /UV lamp

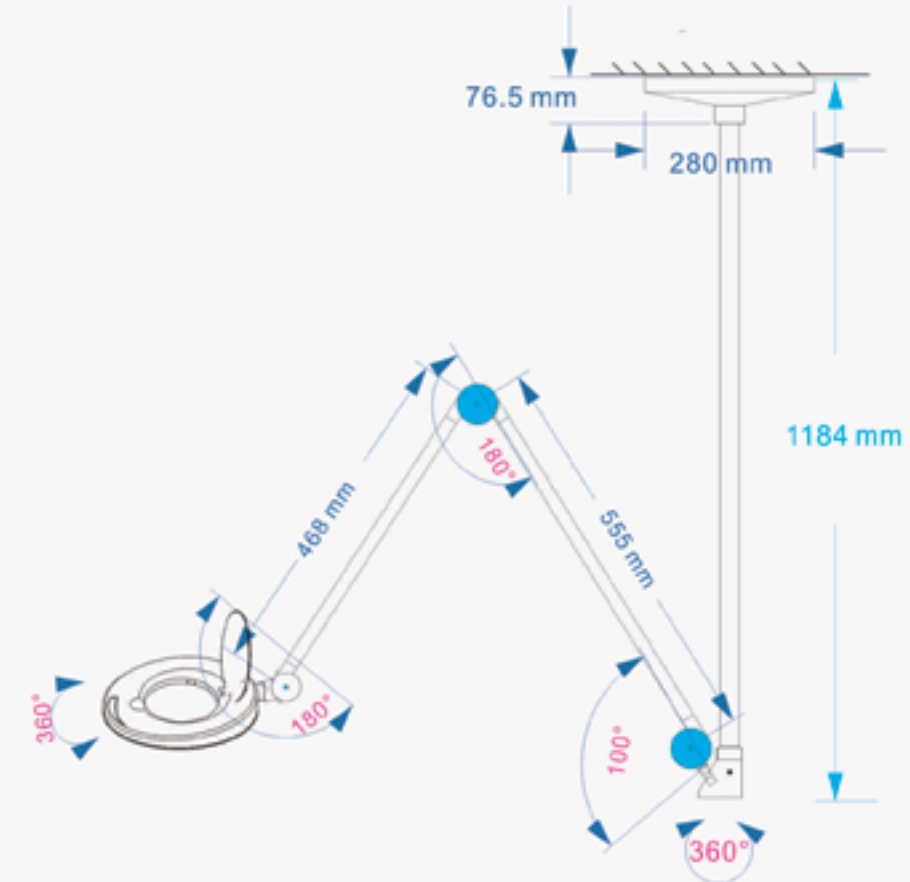
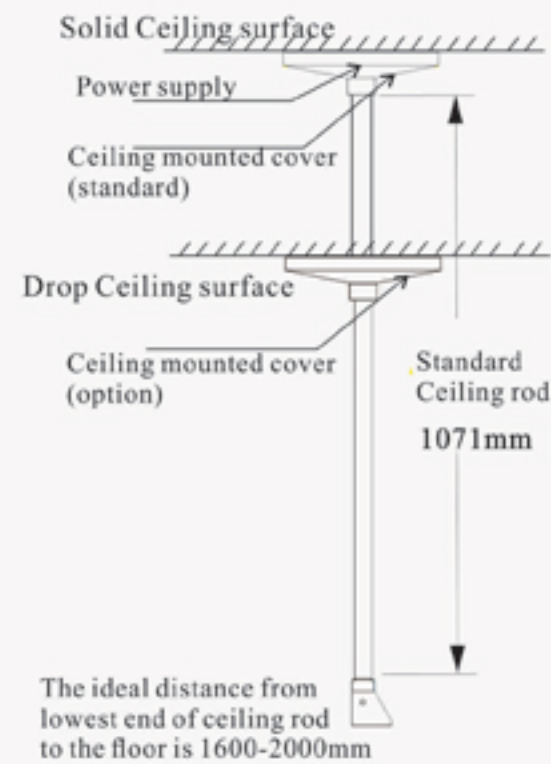


Ceiling Fitting (02C)

Ceiling Rod Configuration		
Accessory Code	Length of ceiling rod	Height of Ceiling
cr001 standard	1071mm	2.8-3.2 m
cr002	387mm	2.5 m
cr003	1387mm	3.5m
cr004	1887mm	4 m



- With smooth contours and dust cover to protect the lens
- In-one-molding sturdy shell
- Clear 2 in 1 magnifier lens (5x & 10x)
- Integrated handle for accurate position & free movements
- High-quality circular LED light source
option: wood light
- Digital intuitive control system
On/OFF---Color temperature control---Intensity up----Intensity down
- Ergonomically tested arm joints and intuitive operation
- Elegant full aluminium spring articulated arm is rugged and flexible, reach up to 1420mm radius
- Spray-painting Galvanized pipe is much thicker, more durable and stable
- Five-branches removable spraying steel base with Five luxury silent castors with brake



LED display screen of the battery

Model: KS-1088(02LB)

Option the lithium battery
Charging time: 2.5 hours
Service time: 4 hours



**MODEL:
KS-1088**



clear+brilliant



This magnifying light offers durability and performance in an economical package. Ideal for detailed inspection during exams and procedures.

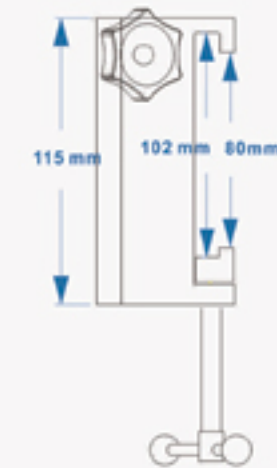
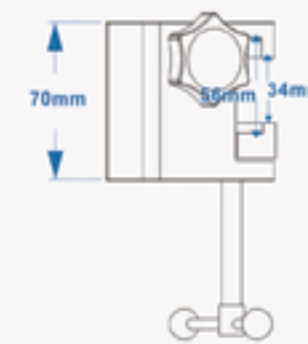
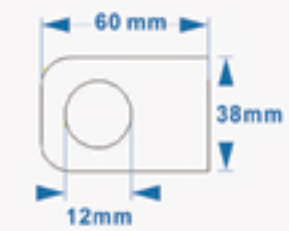
KS-1088 provide perfect balance and flexibility for efficient working, always ensuring they stay in the right position without drifting.

It is a high-quality circular magnifying light featuring an LED light source that enhances colour contrasts, whilst reducing shadow.

This general-purpose magnifier carries steady movement, and the light head has triple-axis rotation for ease of positioning.

A range of interchangeable mounting options extends its flexibility.

Rail Mounted Clamp		
Code	RC03	RC04
Material:	Alluminium	
Clamp size max	34x9.5 mm	80x9.5 mm
Plug-in hole	D=12.76 mm	D=12.76 mm



Wall Fitting (02W)

Wall Mounted Clamp	
Code	WM02
Material:	Alluminium or steel
Plug-in hole	D=17.19 mm

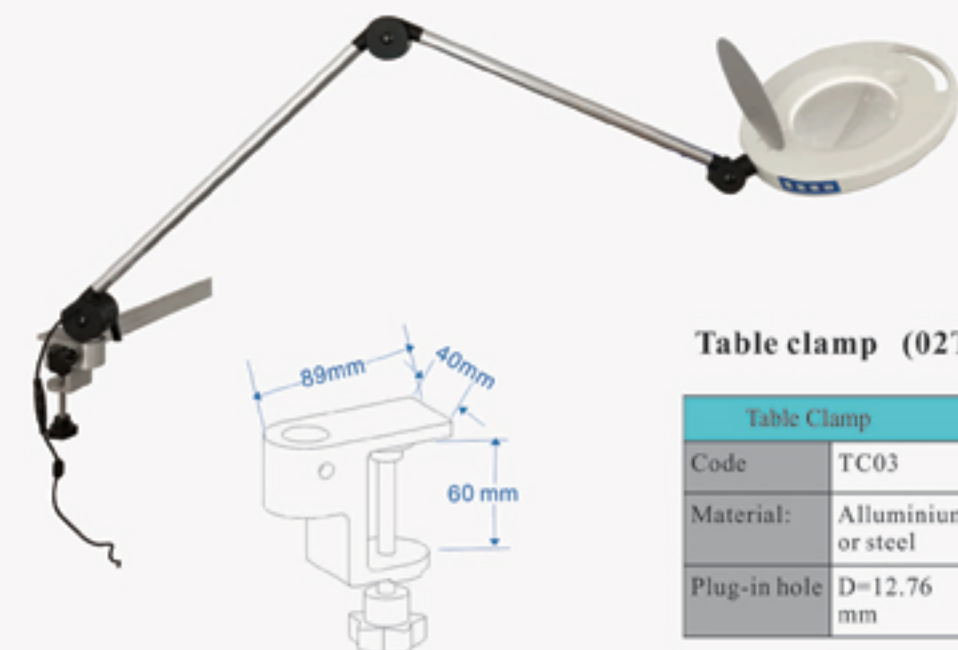
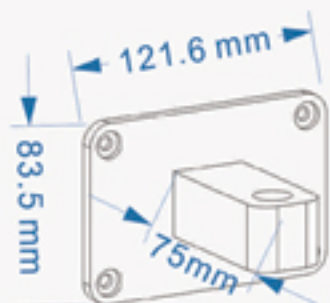


Table clamp (02T)

Table Clamp	
Code	TC03
Material:	Alluminium or steel
Plug-in hole	D=12.76 mm

